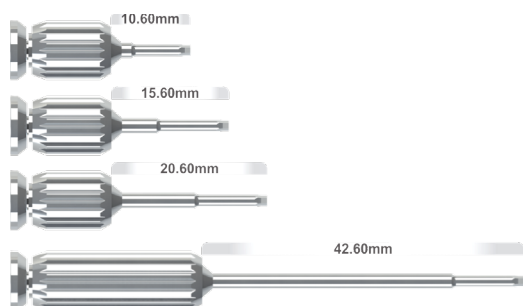


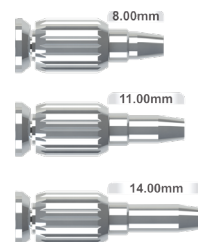
CHAVE DIGITAL

	Curta	Média	Longa	Extra Longa
Fenda	CDFC	CDFM	CDFL	-
Hexagonal 0.9mm	CDH09C	CDH09M	CDH09L	-
Hexagonal 1.2mm	CDH12C	CDH12M	CDH12L	CDH12EL
Quadrada 1.3mm	CDQ13C	CDQ13M	CDQ13L	CDQ13EL
Torx	CDSTC	CDSTM	CDSTL	CDSTEL
Unigrip	CDUGC	CDUGM	CDUGL	CDUGEL
Dinâmica	CDDIC	CDDIM	CDDIL	-



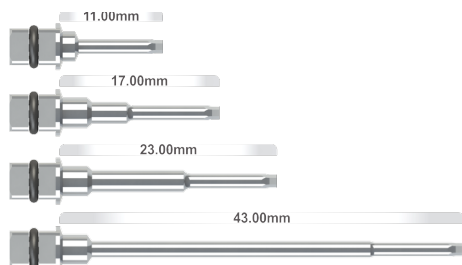
CHAVE DIGITAL MULT UNIT

Curta	Média	Longa	Extra Longa
CDMUC	CDMUM	CDMUL	-



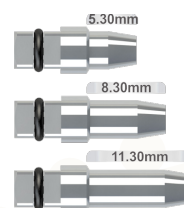
CHAVE TORQUÍMETRO

	Curta	Média	Longa	Extra Longa
Hexagonal 0.9mm	CTH09C	CTH09M	CTH09L	-
Hexagonal 1.2mm	CTH12C	CTH12M	CTH12L	CTH12EL
Hexagonal 1.6mm	CTH16C	CTH16M	CTH16L	-
Quadrada 1.3mm	CTQ13C	CTQ13M	CTQ13L	CTQ13EL
Torx	CTSTC	CTSTM	CTSTL	CTSTEL
Unigrip	CTUGC	CTUGM	CTUGL	-
Dinâmica	CTDIC	CTDIM	CTDIL	-



CHAVE TORQUÍMETRO MULT UNIT

Curta	Média	Longa	Extra Longa
CTMUC	CTMUM	CTMUL	-



MAIS INSTRUMENTAIS



Adaptador Digital Quadrado

ADQCT



Saca Implante

SIMP



Torquímetro 10 a 80 Ncm

TORQ